

 **B.M.X.**

PRODUCTS
INC. T.M.



76-77
CATALOG
THE WINNERS' CHOICE

mongoose

THE
WINNERS'
CHOICE



BMX COMPETITION BICYCLE



REGULAR MONGOOSE
AND
LONG MONGOOSE

B. M. X. Products proudly introduces the MONGOOSE. Built with the same precision workmanship and highest quality materials that you would expect from the makers of MOTOMAG.T.M.

- Race proven geometry and precision balance.
- Both model frames are nickel plated, aircraft quality heliarc welded, plus double head gussets for maximum reliability, and 3 main tubes chrome moly.
- Ashtabula stem, heavy duty reinforced fork, and 6½" heat treated cranks.
- Bendix 70 coaster brake.
- Racing saddle with metal base.
- Black heavy duty high rise handlebars with cross bar.
- MOTOMAG.T.M. wheels - the most rigid of all bicycle wheels for transferring power to the ground.
- MX knobby tires.
- Heavy duty rat trap pedals.
- Hunt - Wilde grips.
- Conveniently packaged in kit form, with easy step - by - step instructions enclosed.

 **B.M.X.**

PRODUCTS, INC.™ 20950 Lassen St. • Chatsworth, California 91311 (213) 341-5455

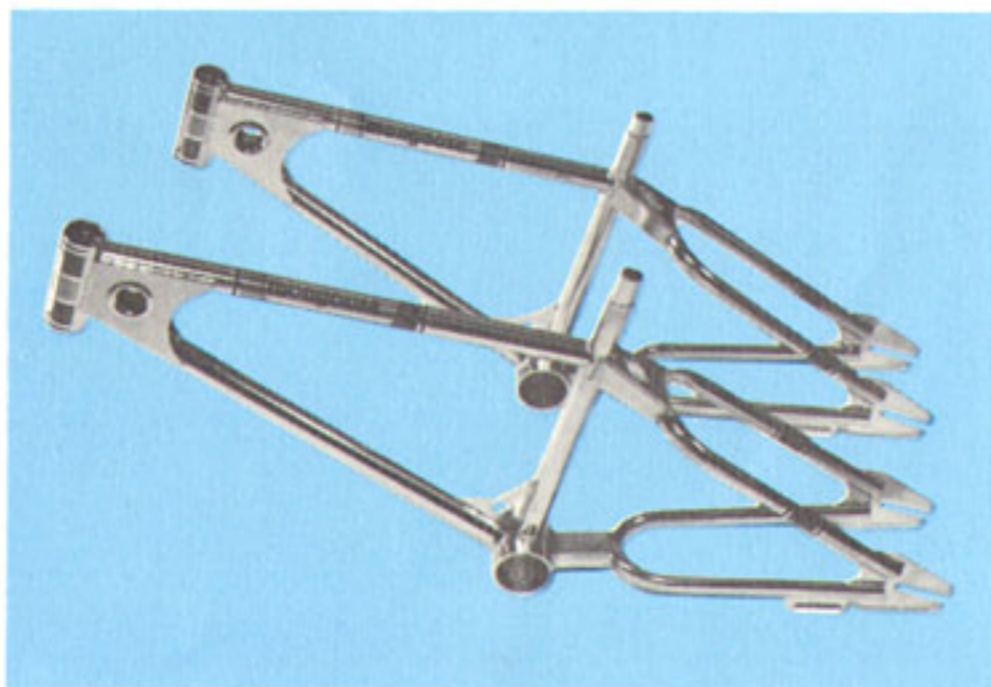
mongoose

*THE WINNERS'
CHOICE*



BMX COMPETITION FRAMES

2 RACING MODELS



REGULAR MONGOOSE
AND
LONG MONGOOSE

B.M.X. Products proudly introduces the MONGOOSE BMX Competition Frame. Built with the same precision workmanship and highest quality materials that you would expect from the makers of MOTOMAG.™

B.M.X. sets the pace again. This time giving the dealer two frame sizes to work with. There's the Regular MONGOOSE, which should accommodate most of your customers, plus a Long MONGOOSE for the hard to fit long racer.

- 3 MAIN TUBES CHROME MOLY
- Race proven geometry and precision balanced.
- Aircraft quality heliarc welded, plus double head gussets for maximum reliability.
- Both models available in either nickel plate finish or four "new" colors of red, yellow, orange and blue.
- Accepts all standard hardware — cups, bearings, forks and cranks.
- Included with frame is heavy wall, plated seat post.
- Ground clearance to accept long cranks.
- Brake arm bracket is integral with frame for convenience.



PRODUCTS, INC.™ 20950 Lassen St. • Chatsworth, California 91311 (213) 341-5455

Roger DeCoster

THE WINNERS'
CHOICE



Designed to accept 3/8" heavy duty axle with flats.



Bearing Collar, Designed to use standard Head Set including Bearing Race for smoother and quicker response and less bearing wear.



BMX COMPETITION FORK

B.M.X. Products proudly introduces the Roger DeCoster B.M.X. Competition Fork. Built with the same precision workmanship and highest quality materials that you would expect from the makers of Mongoose and Motomag^{T.M.}

- All seamless Chrome Moly construction.
- Heli Arc welded for stronger weld penetration.
- 12% Lighter than other popular Chrome Moly Forks.
- Sleeker design.
- Geometrically designed for smoother and quicker handling.

Once again, B.M.X. Products, the nations leading Motocross Accessories Manufacturer, paves the way with a better design. Smoother action and lighter weight will definitely make this fork The Winners Choice.

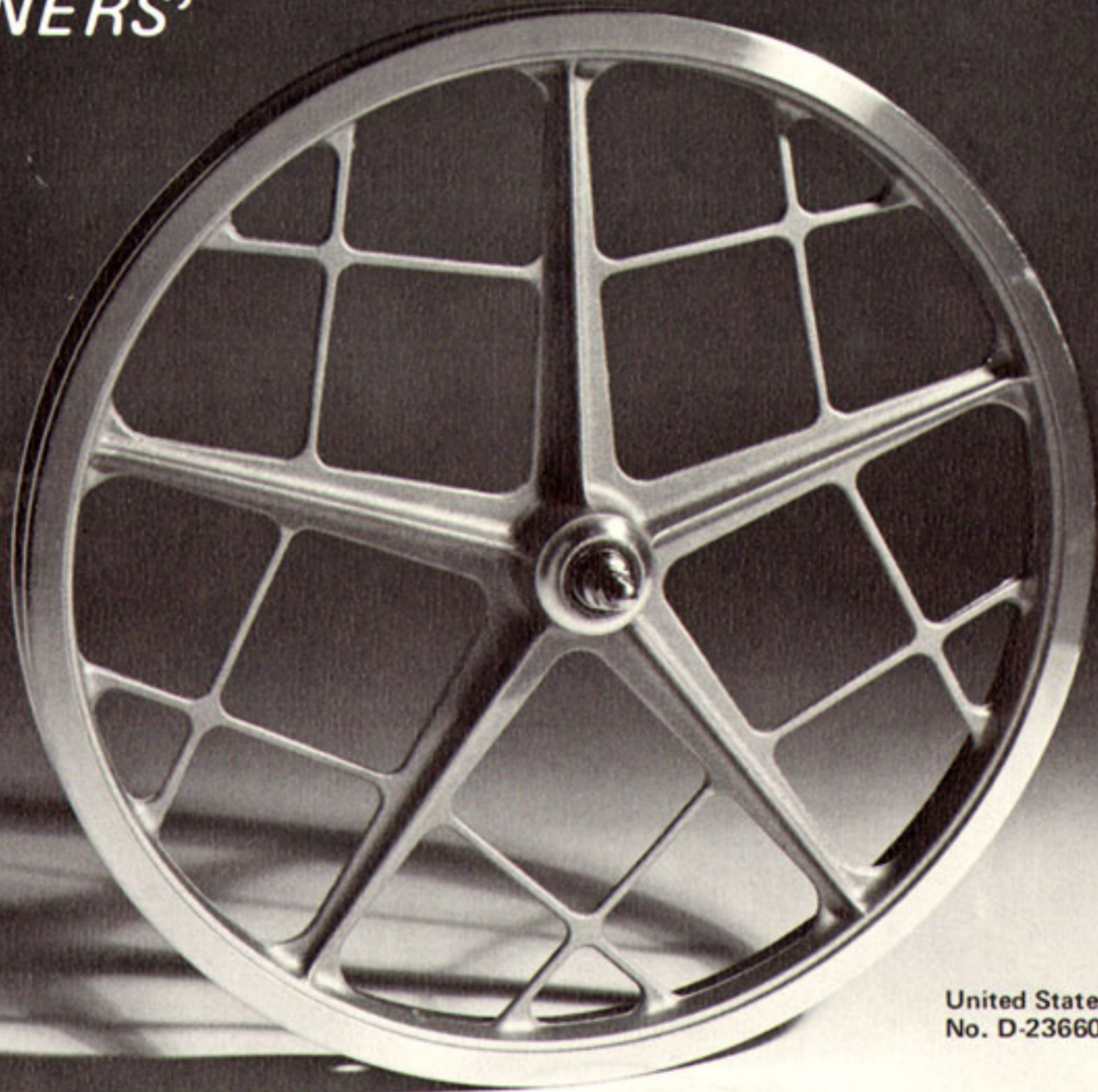
- Accepts standard Head Set Bearing Race for better bearing life.
- Individually boxed for your convenience.
- Fits all standard frame head tubes.



PRODUCTS, INC.^{T.M.} 20950 Lassen St. • Chatsworth, California 91311 (213) 341-5455

MOTOMAG^{T.M.}

THE WINNERS'
CHOICE



United States Patent
No. D-236609

BMX COMPETITION WHEELS



FRONT

The front hub is designed to accept an oversize axle (supplied with the wheel). Most front axles are 5/16"; the Motomag[™] axle is 3/8" and considerably stronger.



REAR

The inner diameter of the steel sleeve in the rear hub is the same as that of the popular Bendix[®] hub. Splines in the sleeve keep it from moving.

THE MOST RIGID OF ALL BICYCLE WHEELS FOR TRANSFERRING POWER TO THE GROUND

This is the Bicycle Motocross "mag"-type wheel that everyone is talking about and asking for.

CHECK THESE FEATURES:

- Rigid construction for total control in jumps and berms.
- Race proven—the winners choice across the country.
- One-piece construction—no welds—no rivets—no spoke maintenance.
- Rear wheel accomodates Bendix[®] 70 coaster brake.
- Precision machined for perfect balance and reduced run out.
- Easy tire mounting, and includes reflector accomodation.

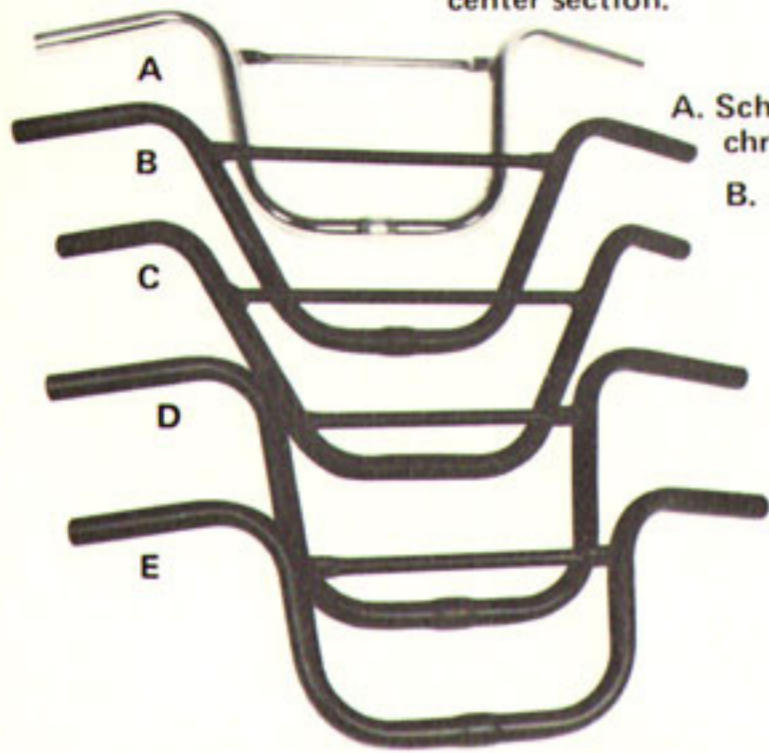


PRODUCTS, INC.^{T.M.} 20950 Lassen St. • Chatsworth, California 91311 (213) 341-5455

Accessories

HANDLEBARS

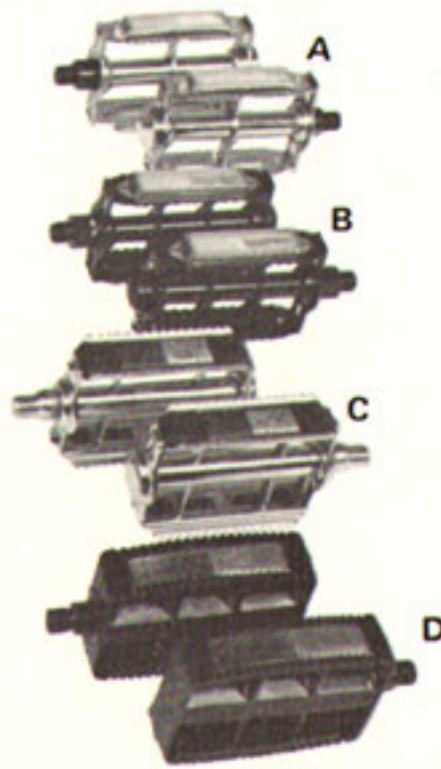
Check these features like cross bar welded both sides, expanded and deeply knurled center section.



- BMX Part No.
- A. Schwinn style box, chrome. 2031
 - B. Hi-Rise style, black. 2030
 - C. All aluminum, black. 2033
 - D. Schwinn style box, black. 2032
 - E. Baby box style, black. 2029

PEDALS

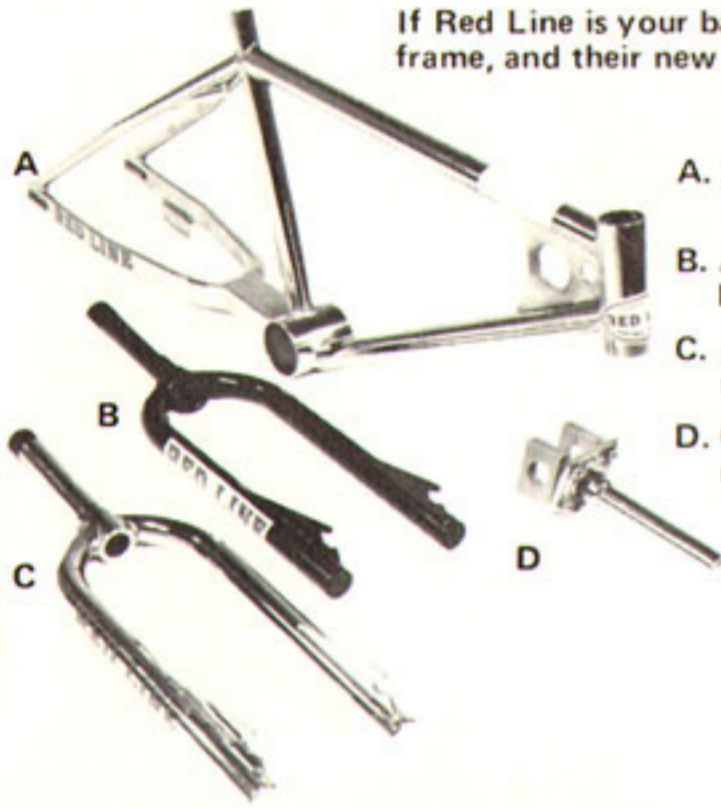
Here again, our selection is second to none. With four rat trap designs including the all new BMX Poly Pedal.



- BMX Part No.
- A. Arai, 1/2" th., rebuildable, chrome. 3006
 - B. KKT, black, chrome moly, H.T. shaft. 3008
 - C. Ashtabula (Cecor) 1/2" th. rat traps H.T. shaft. 3007
 - D. BMX poly pedal 1/2" & 9/16" chrome moly H.T. shaft 3004 & 3005

REDLINE

If Red Line is your bag, we catalog both forks, frame, and their new chrome moly stem.



- BMX Part No.
- A. All chrome moly, nickel finish frame 1050
 - B. All mild steel fork, black finish. 2017
 - C. All chrome moly racing fork. 2016
 - D. Chrome moly stem, nickel finish. 2037

RACERS X FRAMES

The Racers X Frame is our "Mild Steel" version for economy and quality. Constructed of the finest "Mild Steel" tubing and incorporating Heli arc welding. Machined head and hanger tubes make this one a winner. Available in sapphire blue, fire engine red and shimmering silver. BMX Part No. 1055



GOLD SPROCKET SET

When you're at the races, you can't be without sprockets, so why not have them all. Our "Gold Sprocket Set" includes the 14 thru 20T sprockets in one handy container, complete with gear chart. BMX Part No. 3030



If you need individual sprockets, we have those too. Our new 13 thru 20T in our own gold finish. BMX Part Nos. 3034 thru 3041

RIDING APPAREL

When it comes to Riding Apparel, we've collected only the best.

- BMX Part No.
- A. Hustler 200 Helmet, Z90 approved. 4031
 - B. Mongoose & Motomag T.M. T-Shirts, cotton Mens. 3091 Boys. 3090
 - C. Spoiler visor, black, white 4032
 - D. Torstan Hallman cross peak visor, red, blue, yellow, white, smoke 4036
 - E. Mouth guard, wht. 4034
 - F. Scott U.S.A. goggles, w/clear lense 4037
 - G. Scott U.S.A. mask, white or blue 4038
 - H. Capri goggles, tint lense, budget price. 4035
 - I. Motomag T.M. patch, full color. 4050
 - J. Mongoose patch, full color. 4051

B.M.X.
PRODUCTS, INC.™

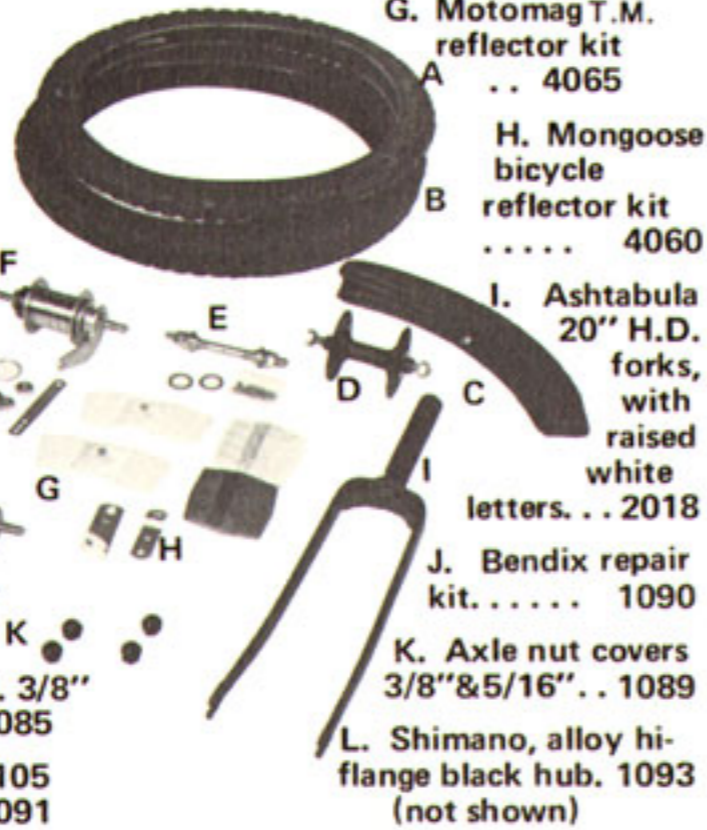
20950 Lassen St. • Chatsworth, California 91311 (213) 341-5455

Accessories

WHEEL ACCESSORIES & REFLECTORS

When a need comes along for wheel accessories, this lineup fills the bill.

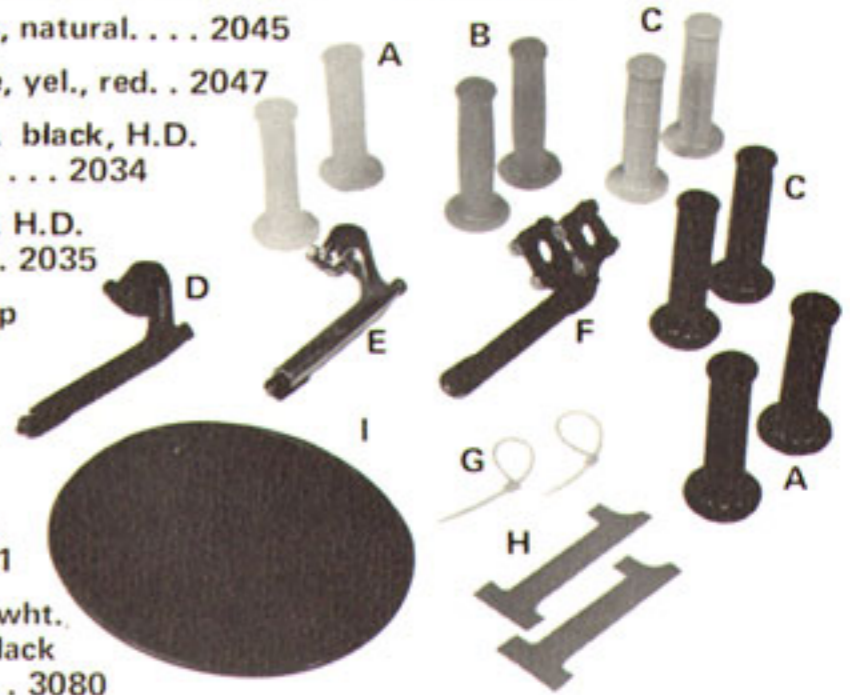
- BMX Part No.
- A. Kobby tire 20x1.75 2000
 - B. Kobby tire 20x2.125 1095
 - C. Tubes, 20x1.75 2005
 - D. ACS alloy hi-flange, blk. hub ... 1094
 - E. Front axle assembly H.D. 3/8" w/flats 1085
 - F. Bendix coaster brake 36/105 1091
 - G. Motomag T.M. reflector kit .. 4065
 - H. Mongoose bicycle reflector kit 4060
 - I. Ashtabula 20" H.D. forks, with raised white letters... 2018
 - J. Bendix repair kit..... 1090
 - K. Axle nut covers 3/8" & 5/16" .. 1089
 - L. Shimano, alloy hi-flange black hub. 1093 (not shown)



HANDLEBAR ACCESSORIES

Motocross demands quality, and our complete line of accessories leaves no exceptions.

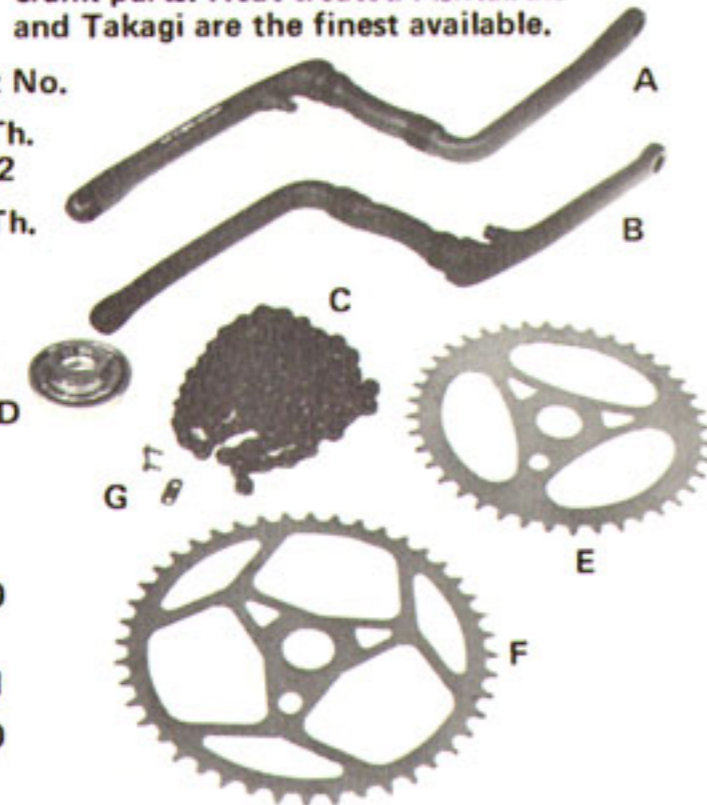
- BMX Part No.
- A. Hex grips, natural, blk. 2046
 - B. Huntwilde grips, natural. ... 2045
 - C. Oury grips, blue, yel., red. . 2047
 - D. Ashtabula stem, black, H.D. w/raised letters. ... 2034
 - E. Ashtabula stem, H.D. w/grade 6 bolt. . 2035
 - F. SR double clamp stem. ... 2036
 - G. Cable ties 3082
 - H. Pre-cut vinyl numbers, white or black. . . 3081
 - I. Number plates, wht., grn., yel., red, black 3080
 - J. Headset, complete chrome with retainers (not shown) 2026



CRANKS & ACCESSORIES

Quality, a necessity when it comes to crank parts. Heat treated Ashtabula and Takagi are the finest available.

- BMX Part No.
- A. Ashtabula H.T. 7 1/2" x 24Th. cranks. 2092
 - B. Ashtabula H.T. 6 1/2" x 24Th. cranks. 2091
 - C. Chain 1/2" x 1/8" w/master link 3015
 - D. Takagi bottom bracket set. ... 2101
 - E. Takagi chain wheel 40T 3010
 - F. Takagi chain wheel 44T 3011
 - G. Master link. 3020



SPOKE WHEELS

For those that prefer wire wheels, we offer our heavy-duty, double wall, dimpled spoke wheels.

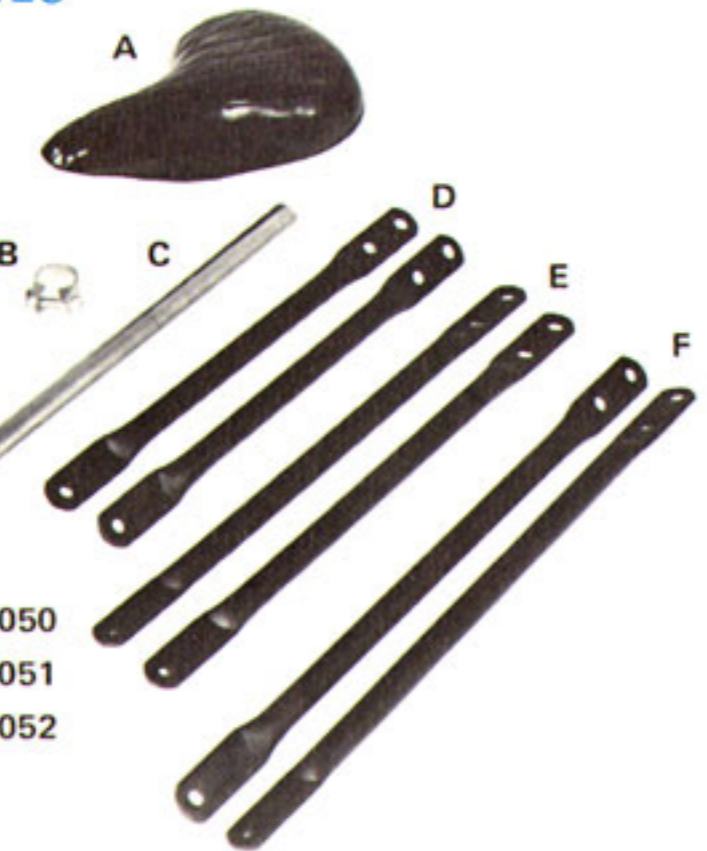
- BMX Part No.
- A. Heavy-duty rear wheel 36/105 Bendix brake. 3046
 - B. Heavy-duty front wheel 36/105 ACS hub ... 3045
 - C. Spokes 105 6A w/nipple ... 3048
 - D. BMX H.D. rim, 36/105 (shown on built wheel) 3047



SEAT & ACCESSORIES

Our steel based seats and accessories include clamp with grade 6 heat treated bolt and struts in 3 sizes.

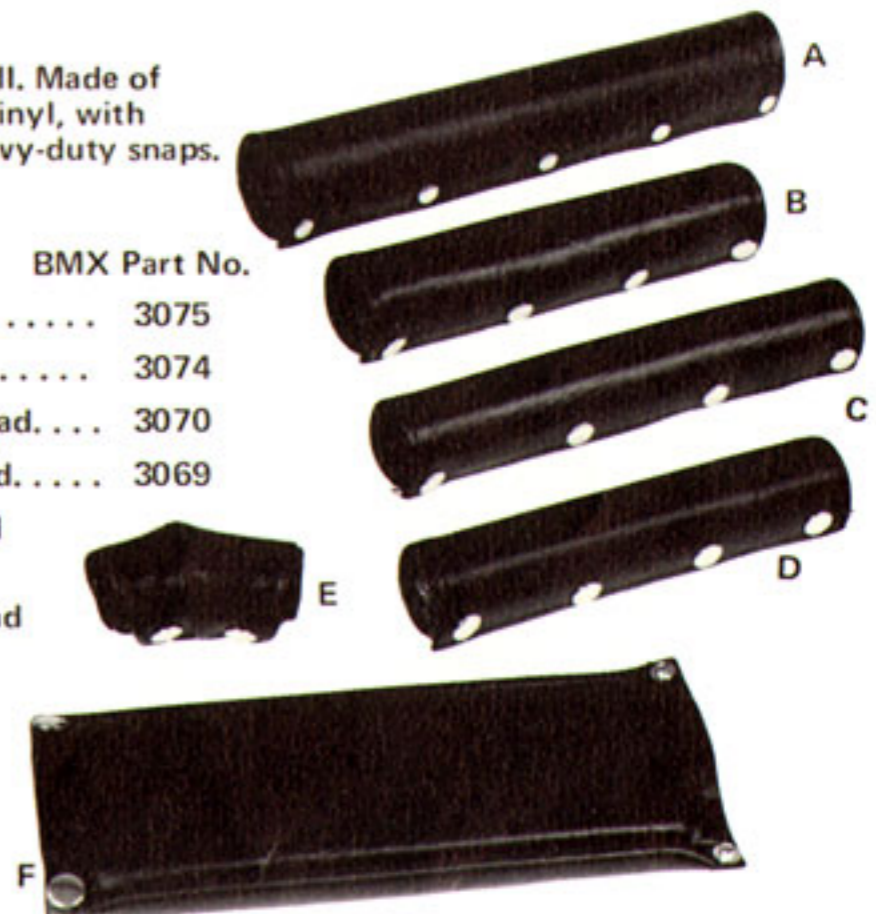
- BMX Part No.
- A. Racing saddle, metal base, vinyl cover, quilted. 2070
 - B. Seat post clamp w/bolt. 2085
 - C. BMX seat post, 7/8" marked & plated 2075
 - D. Seat strut, 13" steel. . . 3050
 - E. Seat strut 16" steel. . . 3051
 - F. Seat strut 18" steel. . . 3052



PROTECTIVE PADS

This list covers it all. Made of extra heavy-duty vinyl, with extra large and heavy-duty snaps.

- BMX Part No.
- A. 14" frame pad. 3075
 - B. 10" frame pad. 3074
 - C. 11" cross bar pad. ... 3070
 - D. 8" cross bar pad. 3069
 - E. Single stem pad 3072
 - F. Double stem pad 3073



PRODUCTS, INC. T.M.

20950 Lassen St. • Chatsworth, California 91311 (213) 341-5455



MAKERS OF:
MOTOMAG^{T.M.}
MONGOOSE
ROGER DECOSTER FORKS
RACERS X FRAMES
GOLD SPROCKET SET

DISTRIBUTORS FOR:
RED LINE
SCOTT U.S.A.
TORSTAN HALLMAN
SHIMANO
ASHTABULA
HELMET HOUSE
NANKANG
CHENG SHIN
BENDIX[®]

When you think of bicycle motocross,
think of BMX Products^{T.M.}, the worlds
leading manufacturer and distributor
of quality motocross accessories.